

Item #:2852B15GRN

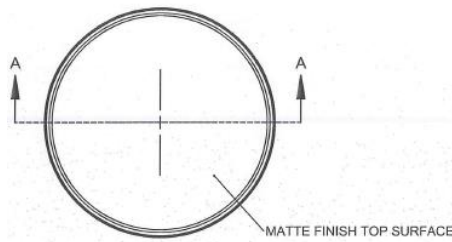
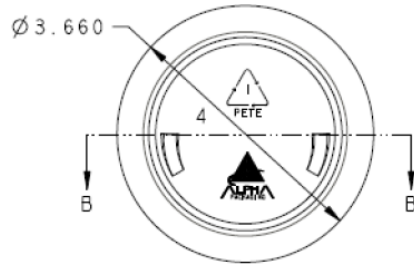
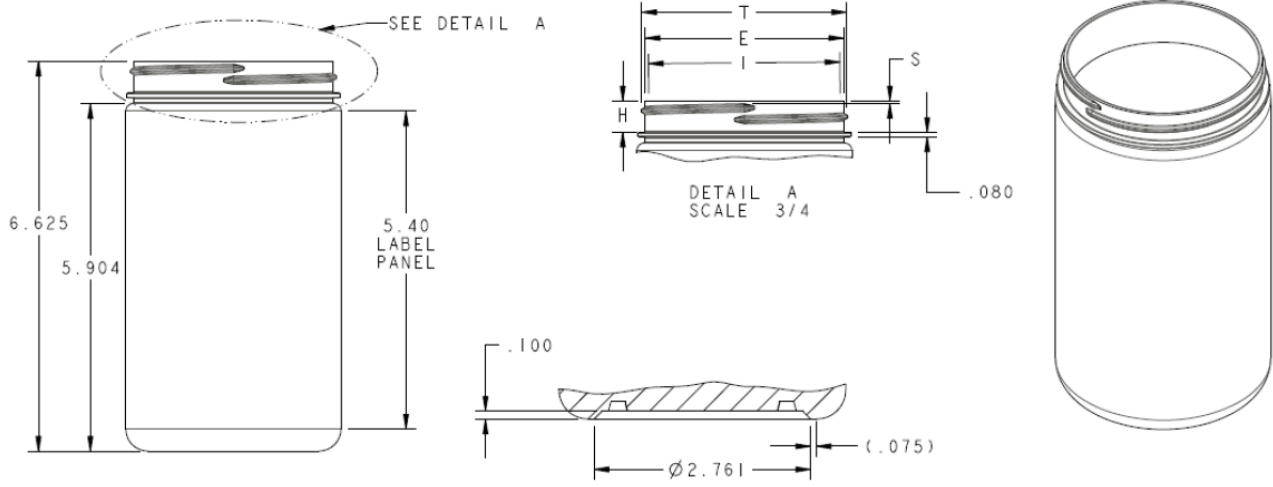
Description: 32 OZ PET STRAIGHT SIDED JAR W/CAP GREEN

Tolerance: Where not shown
 Decimal ±0.05 [1.27]
 Angular ±1°

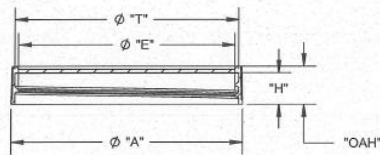
**32oz JAR,
 PET, 89-400 CT**

Key Dimensions:

T = 3.40±.017
 E = 3.37±.017
 H = .53±.015
 I = 2.918 MIN
 S = .08±.015

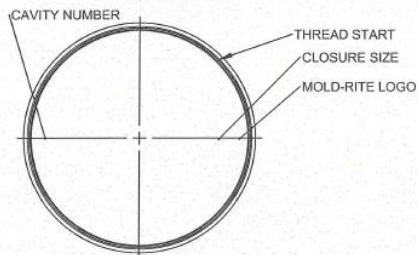


(210) EQUISPACED RIBS
 0.013-0.016 [0.33-0.41] DEEP



SECTION A-A
 SCALE 1 : 1.5

THREAD DETAIL INFORMATION
 5 THREADS PER INCH, .200 PITCH,
 380° FULL DEPTH THREAD



DRAWING NAME
89mm "RM" Closure
 MATERIAL
 POLYPROPYLENE

	TOLERANCE	UNITS	
E	± 0.010 [0.25]	in [mm]	3.405 [86.49]
T	± 0.010 [0.25]	in [mm]	3.528 [89.61]
H	± 0.010 [0.25]	in [mm]	0.502 [12.75]
OAH	± 0.010 [0.25]	in [mm]	0.608 [15.44]
A	± 0.012 [0.30]	in [mm]	3.644 [92.56]
Part Weight	±2.5	g	13.3