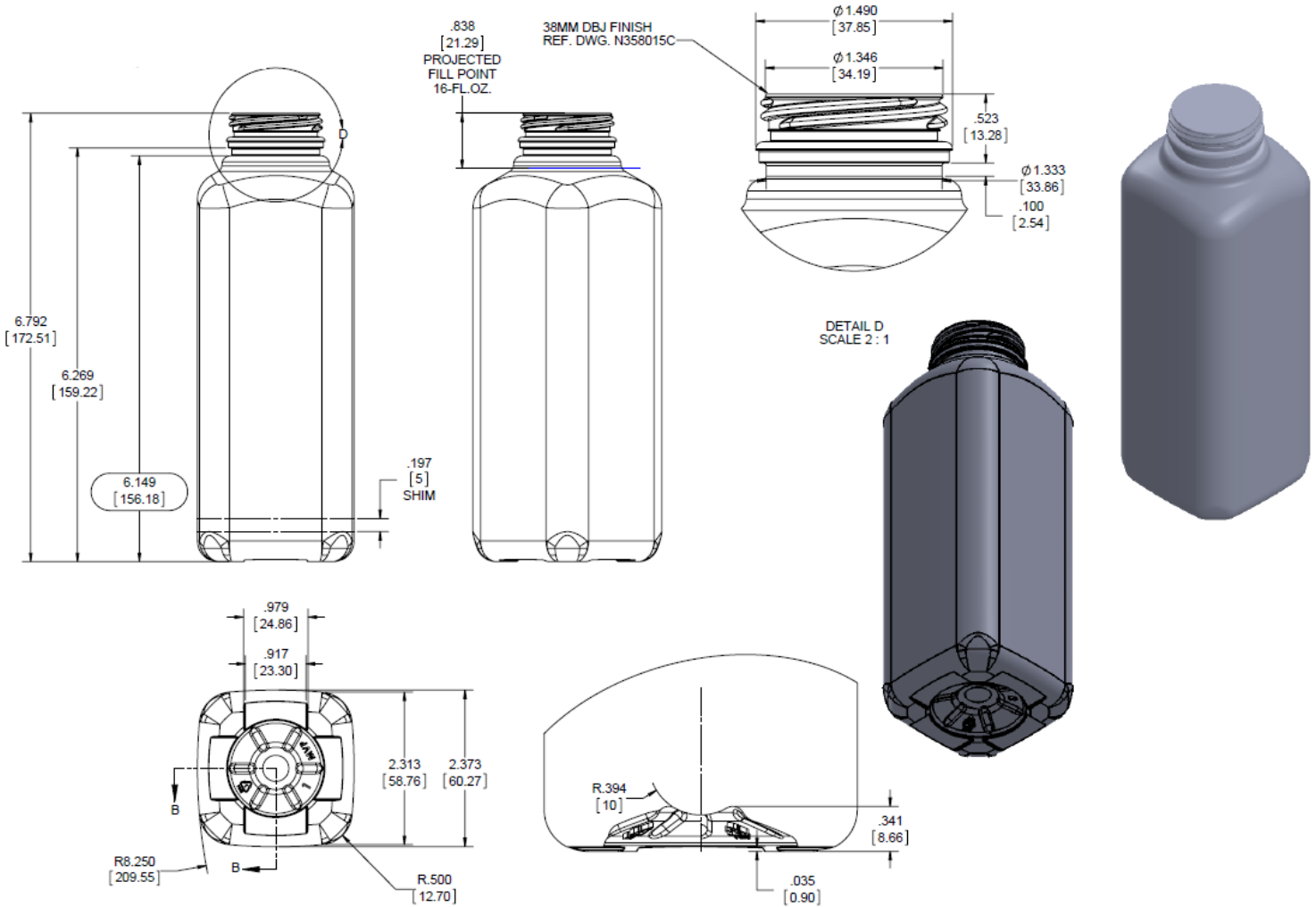


Item: 37618

Description: 16 OZ PET BEVERAGE BTL SQR W/CAP CLEAR



FILLPOINT VOLUME= 473.4-ML / 16.00-FL.OZ.	MATERIAL PET
OVERFLOW VOLUME = 491.1-ML / 16.6-FL.OZ	FINISH 38MM DBJ N358015C

