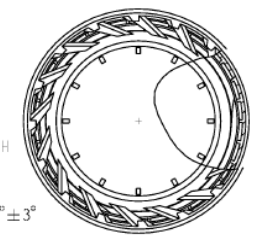
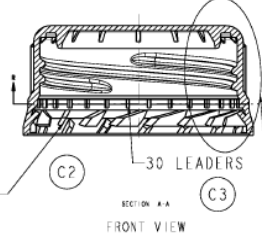
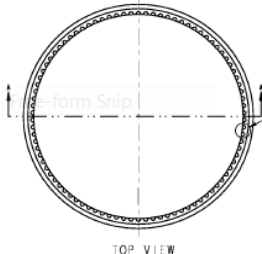
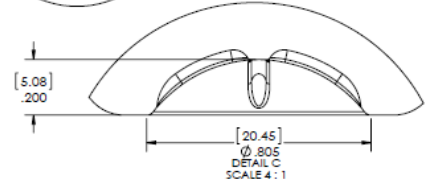
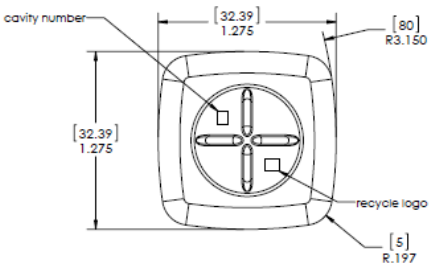
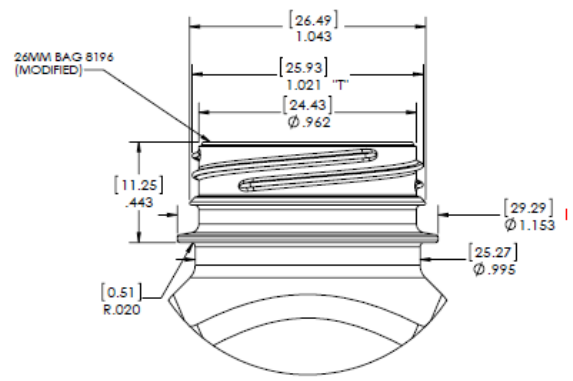
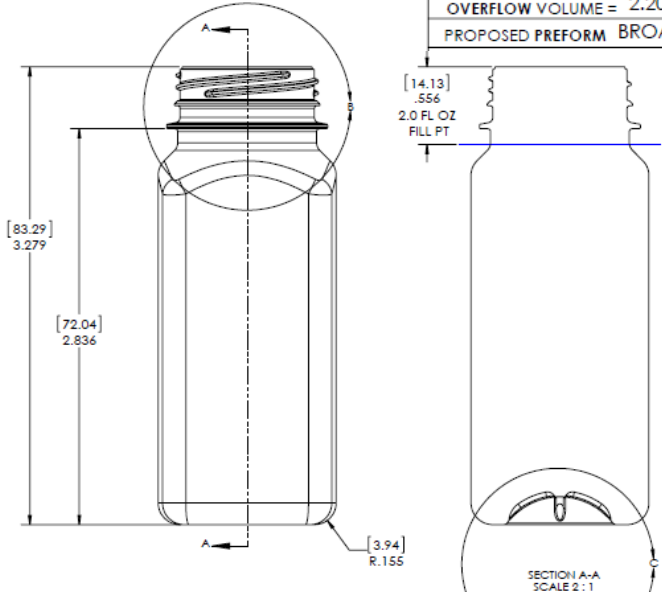


Item: 3761B15

Description: 2 OZ PET BEVERAGE BTL SQR W/CAP CLEAR

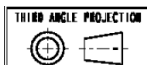
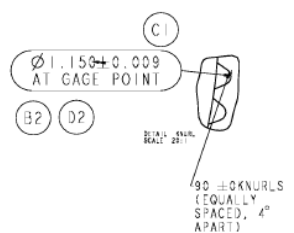
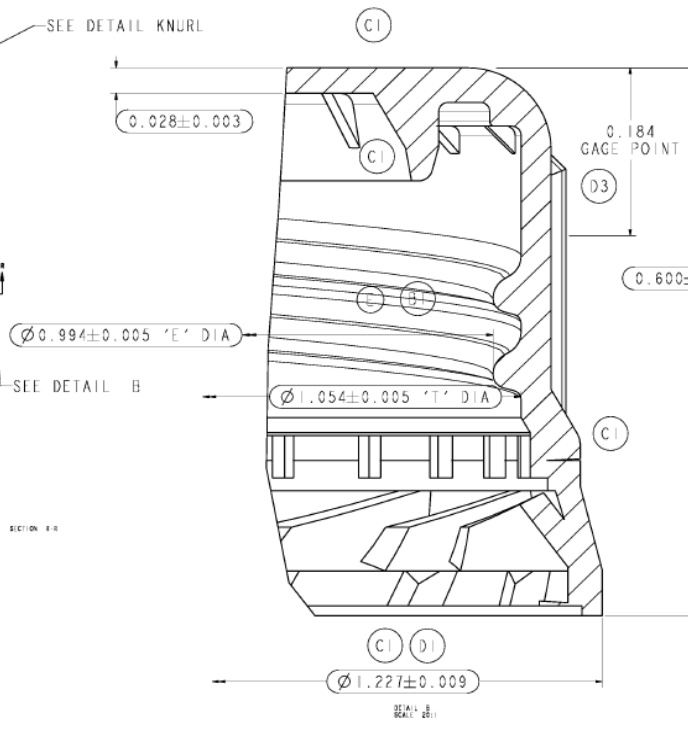
FILLPOINT VOLUME=	2.01-FL.OZ. / 59.5-ML
OVERFLOW VOLUME =	2.205-FL.OZ. / 65.21-ML
PROPOSED PREFORM	BROADWAY P-1790 8.75-GRAMS

MATERIAL	PET
FINISH	26MM BAG 8196



THREAD INFORMATION:
 TRIPLE LEAD THREAD
 -4 TPI OR 0.250
 (6.35MM) LEAD
 -0.0833 (2.11MM) PITCH
 BETWEEN THREAD
 -HELIX ANGLE 4°22'
 -FULL DEPTH THREAD
 TO BE GENERATED 200°±3°

MATERIAL DATA: POLYPROPYLENE



GENERAL NOTES
 UNLESS OTHERWISE SPECIFIED

- TOLERANCES -
 - UNDER .100 ±.002
 - BETWEEN .100 TO .200 ±.004
 - BETWEEN .200 TO .300 ±.005
 - BETWEEN .300 TO .400 ±.006
 - GREATER THAN .400 ±.008
- DIAMETERS ±.005

